

TO REMOVE THE RETENTION PIN FROM THE INSULATOR, PUSH THE RETENTION PIN FROM THE CONTACT END OF THE INSULATOR WITH A DOWEL OR OTHER BLUNT TOOL.

NOTE:  
IN ORDER TO REMOVE THE DUST COVER, ROTATE THE PLUG NUT. THE COVER DOES NOT ROTATE.

TO INSTALL THE DUST COVER, ALIGN THE SLOTS IN THE PLUG NUT WITH THE SLOTS IN THE PLUG BODY. INSERT THE COVER INTO THE PLUG BODY AND ROTATE THE PLUG NUT WHILE MAINTAINING INWARD PRESSURE ON THE COVER.

### ASSEMBLY INSTRUCTIONS

ASSEMBLY NOTE:  
THE PLUG BODY-NUT ASSEMBLY DOES NOT HAVE TO BE UNBOLTED FROM THE ADAPTER PLATE (10) DURING THE INSTALLATION.

- 1) REMOVE THE INSULATOR RETAINING RING (32) BY PLACING A SCREWDRIVER IN THE NOTCHED END OF THE RING AND LIFTING IT OUT OF THE SLOT.
- 2) REMOVE THE INSULATOR FROM THE HOUSING.
- 3) REMOVE 1-1/2" [38mm] OF THE INSULATION FROM THE ENDS OF THE PHASE AND GROUND CONDUCTORS.
- 4) REMOVE 7/8" [22mm] OF THE INSULATION FROM THE ENDS OF THE GROUND CHECK WIRES.
- 5) SLIDE THE INSULATOR RETAINING RING (32) OVER THE CABLES. THEN SLIDE ONE ACRYLIC CONTACT INSULATOR TUBE (25) OVER EACH PHASE CONDUCTOR.

NOTE: THE CONTACTS DO NOT HAVE TO BE REMOVED FROM THE INSULATOR TO INSTALL THE CONDUCTORS.

- 6) IN ORDER TO PREVENT THE STRANDS FROM FRAYING, FORM A CAP OVER THE ENDS OF THE CONDUCTOR STRANDING WITH THE COPPER TAPE PROVIDED IN THE KIT. FORM THE CAP BY ROLLING A PIECE OF THE COPPER TAPE AROUND THE STRANDS TO SHAPE A CYLINDER, LEAVING 1/8" [3mm] TO 3/16" [5mm] OF THE CYLINDER EXTENDING OUT OVER THE STRANDING. FOLD OVER THE CYLINDER AND TAP IT DOWN TIGHT TO FORM A THIMBLE LIKE CAP. INSERT THE PHASE CONDUCTORS INTO THE PHASE CONTACTS (56) AND TIGHTEN THE SET SCREWS (24) USING AN ALLEN WRENCH WITHOUT ADDITIONAL LEVERAGE.
- 7) INSERT THE GROUND WIRES INTO THE GROUND CONTACT (57) AND TIGHTEN THE SET SCREWS USING AN ALLEN WRENCH WITHOUT ADDITIONAL LEVERAGE. (TWO GROUND CONTACTS HAVE BEEN PROVIDED IF REQUIRED).
- 8) INSERT THE GROUND CHECK LEADS INTO THE GROUND CHECK CONTACTS (58) AS DESIRED AND TIGHTEN THE SET SCREWS (48).
- 9) INSERT THE THREE ACRYLIC INSULATING TUBES (25) INTO THE GROOVES AROUND THE PHASE CONTACTS IN THE INSULATOR PLATE. MAKE SURE THE TUBES ARE SEATED COMPLETELY IN THE GROOVES AND INSERT THE ACRYLIC TUBE RETENTION PIN (29) INTO THE HOLE IN THE CENTER OF THE INSULATOR.
- 10) APPLY SILICONE LUBRICANT (PROVIDED IN THE COUPLER KIT) TO THE O-RING ON THE INSULATOR. ALIGN THE DESIRED SLOT IN THE INSULATOR (SEE FIG. 2) WITH THE PIN INSIDE THE PLUG BODY AND INSTALL THE INSULATOR ASSEMBLY.
- 11) INSTALL THE INSULATOR RETAINING RING (32) AND MAKE SURE IT IS SEATED PROPERLY IN THE GROOVE.
- 12) ATTACH THE SOLDERLESS TERMINAL WITH THE SMALLER HOLE ON THE SHELL GROUND STRAP (36) TO THE PLUG BODY USING THE 1/4-20 BRASS SCREW (37) AND LOCK WASHER PROVIDED.
- 13) MOUNT THE COMPLETED COUPLER WITH THE GROUND CHECKS IN THE 6 O-CLOCK POSITION USING THE 4 - 5/16-18 BOLTS AND LOCK NUTS PROVIDED, REMOVE ANY PAINT FROM AROUND THE LOWER RIGHT HOLE ON THE FRAME AND ATTACH THE GROUND STRAP ASSEMBLY (36) TO THAT POSITION AS SHOWN ON THE "CABLE END" ILLUSTRATION.

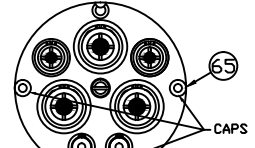
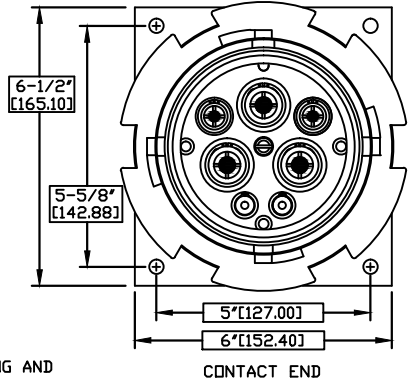


FIGURE 2

THE INSULATOR IS SUPPLIED WITH 4 SLOTS FOR ALIGNMENT IN THE PLUG HOUSING. THE SLOTS IN THE 3, 6, AND 9 O-CLOCK POSITIONS ARE CAPPED AS SHOWN ABOVE.

THE INSULATOR CAN BE ROTATED IN THE HOUSING TO PREVENT INTERCONNECTION BY RECONFIGURING THE CAPS AND EXPOSING THE DESIRED SLOT.

ITEM#	QTY.	PART#	DESCRIPTION
X	1	194	1/4" LOCK NUT (NOT SHOWN)
XX	1	342	COPPER SHIELDING TAPE (NOT SHOWN)
5	4	709	5/16-18 NYLOC NUT
6	4	710	5/16-18 X 1-1/4" BOLT
7	1	789	INSULATOR LOCATING PIN
8	1	202	1/4" LOCK WASHER
10	1	762P	ADAPTER PLATE
11	6	728	1/4-20 X 3/4" SOCKET HEAD BOLT
12	1	171D	COVER CABLE
18	3	719	PHASE CONTACT RETAINING RING
20	2	989	GROUND CONTACT RETAINING RING
22	1	782	MLVNT INSULATOR
23	1	716	MLVNT INSULATOR O-RING
24	10	714-	MLVNT CONTACT SET SCREW - SPECIFY SIZE
25	3	783	ACRYLIC CONTACT INSULATOR TUBE
26	1	519	TUBE RETENTION PIN O-RING
27	3	718	PHASE CONTACT O-RING
28	2	987	GROUND CONTACT O-RING
29	1	784	ACRYLIC TUBE RETENTION PIN
32	1	727P	INSULATOR RETAINING RING
33	2	715	GROUND CHECK O-RING
34	2	706	GROUND CHECK RETAINING RING
36	1	734	SHELL GROUND STRAP ASSEMBLY
37	1	316	1/4-20 X 1/2" BRASS SCREW
38	1	181	1/4-20 X 5/8" BOLT
48	4	315	1/4-20 SET SCREW
51	1	764	PLUG NUT
52	1	713	PLUG NUT O-RING
53	1	184-42	NYLON BALL BEARING (SET OF 42)
54	1	186A	BALL ACCESS PLUG
55	1	760	PLUG BODY
56	3	772	MALE PHASE CONTACT
57	2	773	MALE GROUND CONTACT
58	2	774A	MALE GROUND CHECK CONTACT
59	1	708	1/4-20 EYE BOLT
60	1	779	PLUG DUST COVER
61	1	720	PLUG COVER O-RING
62	4	788	PLUG COVER PIN
65	3	701	INSULATOR SLOT PLUG

ALL HARDWARE IS STAINLESS STEEL UNLESS OTHERWISE SPECIFIED