

THE INSULATOR IS SUPPLIED WITH 4 SLOTS FOR ALIGNMENT IN THE SOCKET HOUSING. THE SLOTS IN THE 3, 6, AND 9 O'CLOCK POSITIONS ARE CAPPED AS SHOWN BELOW.

THE INSULATOR CAN BE ROTATED IN THE HOUSING TO PREVENT INTERCONNECTION BY RECONFIGURING THE CAPS AND EXPOSING THE DESIRED SLOT.

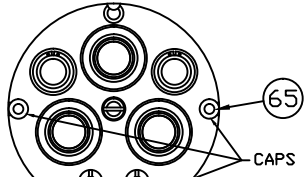
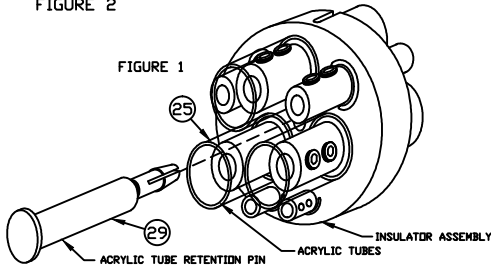


FIGURE 2



TO REMOVE THE RETENTION PIN FROM THE INSULATOR, PUSH ON THE RETENTION PIN FROM THE CONTACT END OF THE INSULATOR WITH A DOVEL OR OTHER BLUNT TOOL.

ASSEMBLY INSTRUCTIONS

1) PREPARE THE CABLE AS FOLLOWS:

REMOVE 6" [152mm] OF THE JACKET FROM THE CABLE, BEING CAREFUL TO AVOID CUTTING INTO THE UNDERLYING CONDUCTORS.

REMOVE 1-1/2" [38mm] OF THE INSULATION FROM THE ENDS OF THE PHASE CONDUCTORS. COVER THE ENDS OF THE BRAID AND SEMI-CON WITH 2 LAYERS OF INSULATING TAPE.

REMOVE 1-1/2" [38mm] OF THE INSULATION FROM THE END OF THE GROUND CONDUCTOR.

REMOVE 7/8" [22mm] OF THE INSULATION FROM THE ENDS OF THE GROUND CHECK WIRES.

2) SLIDE THE END CASTING (40) (NON-THREADED END FIRST) OVER THE CABLE FOLLOWED BY THE HOSE CLAMP (44) AND CABLE SEAL (45)-(SMALL END FIRST). THESE PARTS ARE PROVIDED IN THE COUPLER KIT.

3) UNBOLT THE END BELL (39) AND SOCKET FOOT (42) FROM THE SOCKET FLANGE (1) AND SLIDE THE BELL-(THREADED END FIRST) OVER THE CABLE.

4) UNSCREW THE GROUND STRAP ASSEMBLY (36) FROM THE SOCKET FLANGE.

5) REMOVE THE INSULATOR RETAINING RING (32) BY PLACING A SCREWDRIVER IN NOTCHED END OF THE RING (AS SHOWN IN CABLE END VIEW) AND LIFTING IT OUT OF THE SLOT. SLIDE THE RETAINING RING OVER THE CABLE. REMOVE THE INSULATOR RETAINING SPACER (35) FROM THE SOCKET FLANGE AND SLIDE IT OVER THE CABLE, LARGE DIAMETER FIRST.

6) REMOVE THE INSULATOR FROM THE HOUSING.

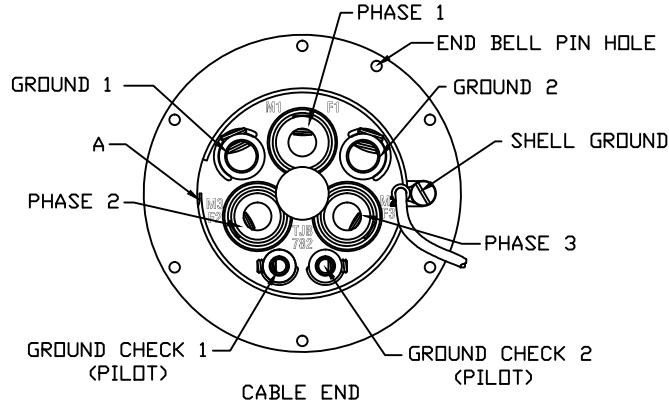
7) REMOVE THE THREE ACRYLIC INSULATOR TUBES (25) FROM THE INSULATOR AND SLIDE ONE OVER EACH PHASE CONDUCTOR TAKING CARE TO MATCH THE TUBE COLOR WITH ITS RESPECTIVE PHASE CONDUCTOR.

NOTE: THE CONTACTS DO NOT HAVE TO BE REMOVED FROM THE INSULATOR TO INSTALL THE CONDUCTORS.

8) IN ORDER TO PREVENT THE STRANDS FROM FRAYING, FORM A CAP OVER THE ENDS OF THE CONDUCTOR STRANDING WITH THE COPPER TAPE PROVIDED IN THE KIT. FORM THE CAP BY ROLLING A PIECE OF THE COPPER TAPE AROUND THE STRANDING TO SHAPE A CYLINDER LEAVING 1/8" [3mm] TO 3/16" [5mm] OF THE CYLINDER EXTENDING OUT OVER THE STRANDING. FOLD OVER THE END OF THE CYLINDER AND TAP IT DOWN TIGHT TO FORM A THIMBLE LIKE CAP. INSERT THE PHASE CONDUCTORS INTO THE PHASE CONTACTS (17) AND TIGHTEN THE SET SCREWS (24) USING AN ALLEN WRENCH WITHOUT ADDITIONAL LEVERAGE.

9) INSERT THE GROUND WIRES INTO THE GROUND CONTACT (19) AND TIGHTEN THE SET SCREWS USING AN ALLEN WRENCH WITHOUT ADDITIONAL LEVERAGE. (TWO GROUND CONTACTS HAVE BEEN PROVIDED IF REQUIRED).

10) INSERT THE GROUND CHECK LEADS INTO THE GROUND CHECKS (21) AS DESIRED AND TIGHTEN THE SET SCREWS (48).



11) INSERT THE THREE ACRYLIC INSULATING TUBES (25) INTO THE SLOTS AROUND THE PHASE CONTACTS IN THE INSULATOR PLATE. MAKE SURE THE TUBES ARE SEATED COMPLETELY IN THE GROOVES. INSERT THE ACRYLIC TUBE RETENTION PIN (29) INTO THE HOLE IN THE CENTER OF THE INSULATOR, AS SHOWN IN FIGURE 1.

12) APPLY SILICONE LUBRICANT (PROVIDED) TO THE O-RING ON THE INSULATOR PLATE. ALIGN THE DESIRED SLOT IN THE INSULATOR (SEE FIG. 2) WITH THE PIN INSIDE THE SOCKET FLANGE AND INSTALL THE INSULATOR ASSEMBLY.

13) INSERT THE INSULATOR RETENTION SPACER (35) INTO THE SOCKET FLANGE.

14) INSTALL THE INSULATOR RETAINING RING (32) AND MAKE SURE IT IS SEATED PROPERLY IN THE GROOVE.

15) ATTACH THE SHELL GROUND STRAP (36) TO THE SOCKET FLANGE USING THE 1/4-20 BRASS SCREW (37) AND LOCK WASHER PROVIDED.

16) ALIGN THE ROLL PIN WITH THE SMALL HOLE IN THE SOCKET FLANGE AND BOLT THE END BELL (39) AND SOCKET FOOT (42) TO THE SOCKET FLANGE USING THE BOLTS AND LOCK WASHERS PROVIDED. MOUNT THE FOOT USING THE 9, 6, AND 3 O'CLOCK BOLT POSITIONS ON THE SOCKET-BELL ASSEMBLY.

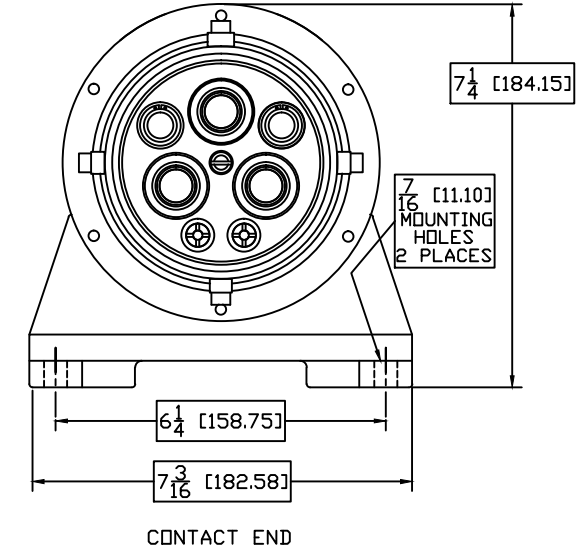
17) SEAT THE CABLE SEAL (45) IN THE SLOT ON THE END BELL.

18) MAKE SURE THE SET SCREW (48) ON THE END CASTING IS BACKED OFF AND WILL NOT INTERFERE WITH THE THREADS ON THE END BELL, AND SCREW THE END CASTING ONTO THE END BELL (HAND TIGHTEN ONLY). LOOSELY BOLT THE CABLE CLAMPS (41) ONTO THE END CASTING USING THE 3/8 BOLTS (46) AND LOCK NUTS (47) PROVIDED. POSITION THE HOSE CLAMP (44) SO THAT THE SCREW ON THE HOSE CLAMP IS ACCESSIBLE AND TIGHTEN THE HOSE CLAMP ONTO THE CABLE SEAL (45). TIGHTEN THE END CASTING SET SCREW (48).

19) TIGHTEN THE CABLE CLAMPS ONTO THE CABLE. THE CLAMPS DO NOT HAVE TO BE TIGHTENED ALL THE WAY TO THE END CASTING.

ITEM#	QTY.	PART#	DESCRIPTION
X	1	721	END BELL ROLL PIN (NOT SHOWN)
XX	1	342	COPPER SHIELDING TAPE (NOT SHOWN)
XXX	1	489	WIRE WRAP (NOT SHOWN)
1	1	765	SOCKET FLANGE
2	1	720	SOCKET FLANGE O-RING
3	4	785	MLVNT ROLLER PIN
4	1	787A	LARGE ROLLER PIN SPACER
5	4	786	ROLLER PIN SLEEVE
6	3	787	SMALL ROLLER PIN SPACER
7	1	789	INSULATOR LOCATING PIN
8	7	202	1/4" LOCK WASHER
9	3	182	1/4-20 X 1" HEX HEAD BOLT
11	1	780	SOCKET DUST COVER
12	1	171D	COVER CABLE
13	1	183	1/4-20 X 1-1/4" HEX HEAD BOLT
14	1	194	1/4" LOCK NUT
16	3	904	PHASE CONTACT CAP ASSEMBLY
17	3	775	FEMALE PHASE CONTACT
18	3	719	PHASE CONTACT RETAINING RING
19	2	776	FEMALE GROUND CONTACT
20	2	989	GROUND CONTACT RETAINING RING
21	2	777A	FEMALE GROUND CHECK CONTACT
22	1	782A	MLVNT INSULATOR
23	1	716	MLVNT INSULATOR O-RING
24	10	714	MLVNT CONTACT SET SCREW - SPECIFY SIZE
25	3	783	ACRYLIC CONTACT INSULATOR TUBE
26	1	519	TUBE RETENTION PIN O-RING
27	3	718	PHASE CONTACT O-RING
28	2	987	GROUND CONTACT O-RING
29	1	784	ACRYLIC TUBE RETENTION PIN
32	1	727	INSULATOR RETAINING RING
33	2	715	GROUND CHECK O-RING
34	2	706	GROUND CHECK RETAINING RING
35	1	726L	INSULATOR RETENTION SPACER
36	1	734	SHELL GROUND STRAP ASSEMBLY
37	1	316	1/4-20 X 1/2" BRASS SCREW
39	1	763	MLVNT END BELL
40	1	939	END CASTING
41	2	120	CABLE CLAMP - SPECIFY SIZE
42	1	758	MLVNT SOCKET FOOT
43	3	174A	1/4-20 X 1-3/4" HEX HEAD BOLT
44	1	187	HOSE CLAMP
45	1	123	CABLE SEAL
46	4	705	3/8-16 X 2-1/2" HEX HEAD TAP BOLT
47	4	168	3/8-16 LOCK NUT
48	5	315	1/4-20 SET SCREW
49	1	712	MODEL TAG
50	1	717	END BELL O-RING
66	1	216A	INSULATING TAPE

ALL HARDWARE IS STAINLESS STEEL UNLESS OTHERWISE SPECIFIED



CONTACT END