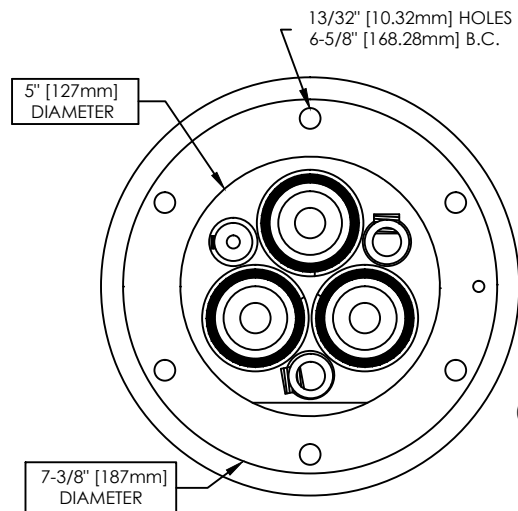


ITEM NO.	QTY.	PART NO.	DESCRIPTION
X	1	342	COPPER SHIELDING TAPE (NOT SHOWN)
XX	1	489	WIRE WRAP (NOT SHOWN)
82	1	184-40	NYLON BALL BEARING - SET OF 40
83	1	151	DUST SEAL
84	10	314-	BRONZE SET SCREW - SPECIFY SIZE
87	2	942M	GROUND CONTACT RETAINING RING
100	2	181	1/4-20 x 5/8 HHCS
101	1	171D	COVER CABLE ASSEMBLY
103	1	920	INSULATOR RETAINING RING
106	4	185J	N/T PIN
107	1	315	1/4-20 x 3/8 SET SCREW
130	6	940	LOCK WASHER
166	6	424	3/8-16 x 1-1/4 SHCS
901	1	964D-COMP	LVNT PLUG NUT - 1KV- 4 SLOT
903	3	972-COMP	MALE PHASE CONTACT ASSEMBLY
904	2	973A-COMP	MALE GROUND CONTACT ASSEMBLY
905	1	974A-COMP	MALE GROUND CHECK CONTACT ASSEMBLY
906	3	978-COMP	MALE PHASE CONTACT NUT ASSEMBLY
907	3	984	PHASE CONTACT O-RING
908	1	986	INSULATOR O-RING
909	2	987	MALE GROUND CONTACT O-RING
910	1	988	MALE GROUND CHECK CONTACT O-RING
911	1	989	MALE GROUND CHECK CONTACT RETAINING RING
912	1	926	LVNT PLUG O-RING
923	1	824	LVNT PLUG DUST COVER - 1KV AND 3KV
929	1	971TMPBF1-COMP	MALE INSULATOR ASSEMBLY - 1KV
932	1	981	BALL BEARING ACCESS PLUG
933	1	826	LVNT SWITCHGEAR PLUG BODY

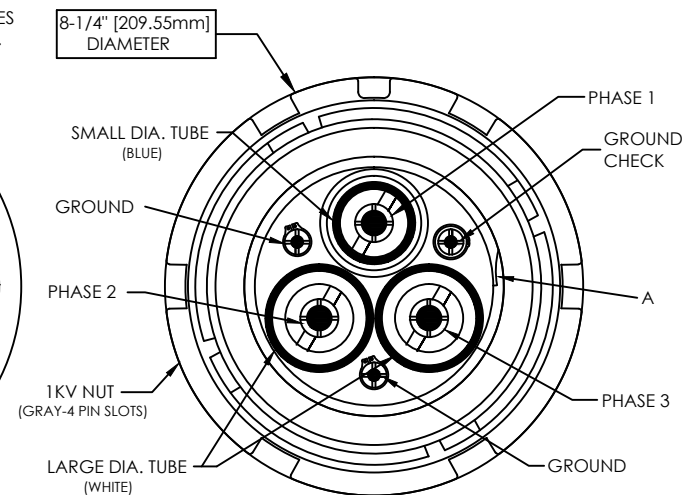
NOTE: ALL HARDWARE IS STAINLESS STEEL UNLESS OTHERWISE SPECIFIED

## ASSEMBLY INSTRUCTIONS

- 1) REMOVE THE INSULATOR ASSEMBLY (929) FROM THE PLUG BODY (933) BY REMOVING THE INSULATOR RETAINING RING (103). THIS IS A SPIRAL TYPE RETAINING RING AND CAN BE REMOVED BY PLACING A SCREWDRIVER UNDER THE END OF THE SPIRAL (A) AND LIFTING THE RING.
- 2) REMOVE THE INSULATION FROM THE ENDS OF THE CONDUCTORS AS FOLLOWS: PHASE AND GROUND CONDUCTORS 1-7/8" [48mm], GROUND CHECK CONDUCTOR 3/4" (19mm). IN ORDER TO PREVENT THE STRANDS FROM FRAYING, FORM A CAP OVER THE ENDS OF THE CONDUCTOR STRANDING WITH THE COPPER TAPE PROVIDED IN THE KIT. THIS CAN BE DONE BY ROLLING A PIECE OF THE COPPER TAPE AROUND THE STRANDING TO FORM A CYLINDER, LEAVING 1/8" [3mm] TO 3/16" [5mm] OF THE CYLINDER EXTENDING OUT OVER THE STRANDING. FOLD OVER THE END OF THE CYLINDER AND TAP IT DOWN TIGHT TO FORM A THIMBLE-LIKE CAP.
- 3) THE CONTACTS DO NOT HAVE TO BE REMOVED FROM THE INSULATOR TO INSTALL THE CONDUCTORS. INSERT THE CONDUCTORS INTO THE PHASE CONTACTS AND TIGHTEN THE SET SCREWS USING AN ALLEN WRENCH WITHOUT ADDITIONAL LEVERAGE.
- 4) INSERT THE GROUND CHECK LEAD INTO THE GROUND CHECK (905) AND TIGHTEN THE SET SCREW.
- 5) THE TWO GROUND CONTACTS (904) HAVE BEEN ISOLATED FROM THE SHELL OF THE COUPLER. INSTALL THE GROUND LEADS AS DESIRED AND TIGHTEN THE SET SCREWS.
- 6) INSTALL THE INSULATOR O-RING INTO THE GROOVE IN THE O.D. OF THE INSULATOR PLATE AND APPLY A SMALL AMOUNT OF SILICONE GREASE (PROVIDED) TO THE O-RING TO EASE INSERTION OF THE INSULATOR INTO THE PLUG BODY. INSTALL THE INSULATOR. REPLACE THE INSULATOR RETAINING RING.



CABLE END VIEW



CONTACT END VIEW